



PROFESSIONAL  
**POWER  
TOOLS**  
MANUFACTURER



Guangdong Yuantuo Technology Co., Ltd.

Established in 2015, Guangdong Yuantuo Technology Co., Ltd. has been a dedicated and dynamic player in the industry.

The company specializes in the comprehensive production, meticulous processing, and efficient sale of a wide range of power tools and diverse accessories.

Its product portfolio includes high - quality electric drills, powerful electric hammers, precision grinders, reliable batteries, as well as various hardware tool accessories, meeting different market demands.

Our advantages:

- Strict quality control: Equipped with a well - defined scientific quality management system to ensure high - quality products.
- Great value for money: Committed to providing customers with high - quality and cost - effective products.

# CONTENTS



MULTI-HEAD POWER TOOL SET 3



CORDLESS POWER TOOLS 5



N in 1 POWER TOOL SET 9



PLASTIC BOX TOOL SET 11



GARDEN TOOLS 12



HAND TOOL SET 12



POWER TOOL BATTERY 13

# MULTI-HEAD POWER TOOL



**20+**  
**ATTACHMENT**  
**CUSTOM SERVICE**  
**DIY COMBINATION**



## Machine Body



No load speed	21000 rpm
Motor	Brushless
Weight	1.4 kg

## Drill



No load speed	1600 rpm
Rate torque	40 N · m
Chuck size	13 mm
4	4

## Impact Drill



No load speed	1600 rpm
Rate torque	40 N · m
Chuck size	13 mm
4	4

## Hammer Drill



No load speed	0-1300 rpm
Impact Rate	5000 ipm
Chuck size	13 mm
4	

## Impact Wrench



Impact rate	3000 ipm
Max Torque	320 N.m
Chuck size	1/2 inch

## Screwdriver



Impact rate	3000 ipm
Max torque	200 N.m
Chuck size	6.35 mm
4	4

## Jig Saw



Stroke rate	0-2700 spm
Stroke length	12.7 mm
3	3
4	4

## Reciprocating Saw



troke rate	0-3000 spm
Stroke length	15 mm
3	3
4	4

## Oscillating Tool



Oscillation rate	0-20000 opm
Oscillation angle	3°

## Angle Grinder



No load speed	1300 rpm
Dis diameter	125 mm
3	4
4	

## Trim Router



No load speed	0-9000 rpm
Chuck size	6 mm
3	3
4	4

## Sander



Oscillation rate	0-9000 opm
2	2
3	3
4	4

## Pressure Washer



No load speed	3000 rpm
Pressure	0-30 bar
Water flow	2 L/min
4	4

## Shear & Trimmer



Stroke rate	0-2200 spm
Cutting width	12 mm
Tooth spacing	16 mm

## Circular Saw



No load speed	3500/4500 rpm
Blade size	85/125 mm
4	3
	4

## Chain Saw



No load speed	3500 rpm
Bar length	4/6/8 inch
Chain speed	5 m/s

# CORDLESS POWER TOOL



**18V BATTERY PLATFORM**  
**One For All**

**80+ TOOLS**  
SUFFICIENT STOCK  
RAPID DELIVERY

## Impact Drill



No load speed	1650r/min
Max torque	85N · m
Chuck size	10mm
Weight	1.2KG

## Impact Drill



No load speed	1250r/min
Max torque	80N · m
Chuck size	13mm
Weight	1.75KG

## Impact Drill



No load speed	1250r/min
Max torque	120N · m
Chuck size	13mm
Weight	1.84KG

## Industrial Drill



No load speed	3200r/min
Max torque	320N · m
Power	400w
Weight	

## Screwdriver



1	1
2	2
3	3
4	4

## Screwdriver



1	1
2	2
3	3
4	4

## Impact Wrench



1	1
2	2
3	3
4	4

## Impact Wrench



1	1
2	2
3	3
4	4

## Impact Wrench



1	1
2	2
3	3
4	4

## Impact Wrench



1	1
2	2
3	3
4	4

## Impact Wrench



1	1
2	2
3	3
4	4

## Impact Wrench



1	1
2	2
3	3
4	4

## Impact Wrench



1	1
2	2
3	3
4	4

## Impact Wrench



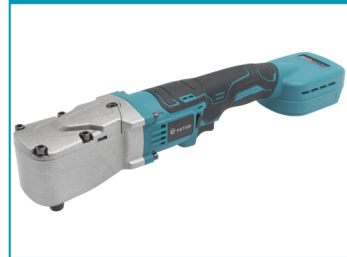
1	1
2	2
3	3
4	4

## Impact Wrench



1	1
2	2
3	3
4	4

## Ratchet Wrench



1	1
2	2
3	3
4	4

**Ratchet Wrench**



1	1
2	2
3	3
4	4

**Chain Saw**



1	1
2	2
3	3
4	4

**Chain Saw**



1	1
2	2
3	3
4	4

**Chain Saw**



1	1
2	2
3	3
4	4

**1**



1	1
2	2
3	3
4	4

**1**



1	1
2	2
3	3
4	4

**1**



1	1
2	2
3	3
4	4

**1**



1	1
2	2
3	3
4	4

**Chain Saw**



1	1
2	2
3	3
4	4

**Chain Saw**



1	1
2	2
3	3
4	4

**Circular Saw**



1	1
2	2
3	3
4	4

**Circular Saw**



1	1
2	2
3	3
4	4

**1**



1	1
2	2
3	3
4	4

**1**



1	1
2	2
3	3
4	4

**1**



1	1
2	2
3	3
4	4

**1**



1	1
2	2
3	3
4	4

**Circular Saw**



1	1
2	2
3	3
4	4

**Miter Saw**



1	1
2	2
3	3
4	4

**Oscillating Tool**



1	1
2	2
3	3
4	4

**Electric Pruner**



1	1
2	2
3	3
4	4

**Sealing Machine**



1	1
2	2
3	3
4	4

**Pipe Welding Tool**



1	1
2	2
3	3
4	4

**Pipe Welding Tool**



1	1
2	2
3	3
4	4

**LED Light**



1	1
2	2
3	3
4	4

**1**



1	1
2	2
3	3
4	4

**1**



1	1
2	2
3	3
4	4

**1**



1	1
2	2
3	3
4	4

**1**



1	1
2	2
3	3
4	4

**1**



1	1
2	2
3	3
4	4

**1**



1	1
2	2
3	3
4	4

**1**



1	1
2	2
3	3
4	4

**1**



1	1
2	2
3	3
4	4

**1**



1	1
2	2
3	3
4	4

**1**




1	1
2	2
3	3
4	4

**1**



1	1
2	2
3	3
4	4

**1**



1	1
2	2
3	3
4	4

**1**



1	1
2	2
3	3
4	4

**1**



1	1
2	2
3	3
4	4

**1**



1	1
2	2
3	3
4	4

**1**




1	1
2	2
3	3
4	4

**1**



1	1
2	2
3	3
4	4

**1**



1	1
2	2
3	3
4	4

**1**




1	1
2	2
3	3
4	4

**1**



1	1
2	2
3	3
4	4

**1**




1	1
2	2
3	3
4	4

**1**



1	1
2	2
3	3
4	4

**1**



1	1
2	2
3	3
4	4

**1**



1	1
2	2
3	3
4	4

**1**



1	1
2	2
3	3
4	4

**1**



1	1
2	2
3	3
4	4

**1**



1	1
2	2
3	3
4	4

**1**



1	1
2	2
3	3
4	4

**1**



1	1
2	2
3	3
4	4

**1**




1	1
2	2
3	3
4	4

**1**



1	1
2	2
3	3
4	4

**1**



1	1
2	2
3	3
4	4

**1**




1	1
2	2
3	3
4	4

**1**



1	1
2	2
3	3
4	4

**1**



1	1
2	2
3	3
4	4

**1**



1	1
2	2
3	3
4	4

**1**




1	1
2	2
3	3
4	4

**1**




1	1
2	2
3	3
4	4

**1**



1	1
2	2
3	3
4	4

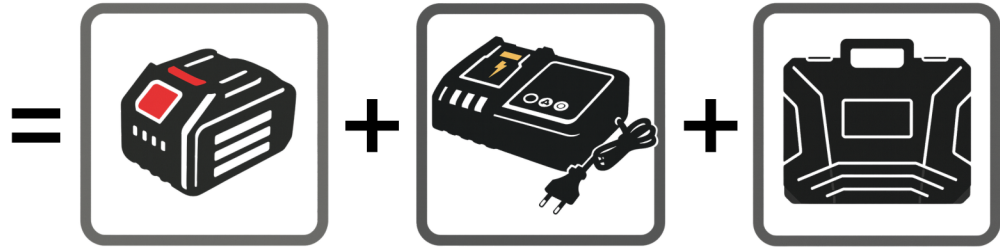
**1**



1	1
2	2
3	3
4	4



DIY  
COMBINATION





## 3 in 1



Combinations	Drill
	Angle grinder
	Hammer Drill
Plastic box size	520*380*120mm
Net weight	8.85kg

## 4 in 1



Combinations	Drill; wrench
	Angle grinder
	Hammer Drill
Plastic box size	53.5*40*12.5cm
Net weight	10kg

## 5 in 1



Combinations	Drill; Hammer Drill
	Angle grinder; Wrench
	Circular saw
Plastic box size	62*51*32cm
Net weight	17kg

## 6 in 1



Combinations	Drill; Hammer Drill
	Angle grinder; Wrench
	Circular saw; Chain Saw
Plastic box size	53*38*24cm
Net weight	21KG



YT-CT-10

## YT-CT-01



## YT-CT-02



## YT-CT-03



## YT-CT-04



## YT-CT-05



## YT-CT-06



## YT-CT-07



## YT-CT-08



## YT-CT-09





# GARDEN TOOL



# HAND TOOL SET




**T-EGT01**




Power	60-200w
Motor	Brush DC 560
Motor speed	20000r/min

**YT-EGT02**




Power	120-140w
Motor	755 bursh motor
No load speed	8000r/min
Length	0.8-1.2m

**YT-EGT03**




No load speed	4800r/min
Motor	Brushless 4815 split
Power	300w

**YT-Tool11**




Accessories	115 in 1
Material	CRV
Produce size	16*10*5.2cm
Unit weight	0.485KG

**YT-Tool18**



Blade material	High carbon steel
Unit weight	0.9KG
Cutting diameter	10.2mm

**YT-Tool20-1**



Accessories	46 pieces
Unit weight	1.2KG
Carton size	47*26*27cm
Specification	24pcs/carton

**YT-EGT04**




No load speed	8000r/min
Motor	755 brush motor
Power	120-140w
Length	0.8m-1.2m

**YT-EGT05**



No load speed	8000r/min
Motor	755 brush motor
Power	90-100w
Length	0.8m-1.2m

**YT-ES01**




No load speed	19000r/min
Motor	BL3820 motor
Power	900w
Trim diameter	2.5cm

**YT-Tool20-2**




Accessories	53 pieces
Unit weight	1.54KG
Produce size	27.5*19*5.5cm
Specification	24 teeth

**YT-Tool20-4**



Accessories	37 pieces
Unit weight	4.35KG
Produce size	30.7*20.8*7.3cm

**YT-Tool22-01**



Accessories	216 pieces
Unit weight	10.5KG
Produce size	44*33*9cm
Specification	72 teeth

**YT-CS01**



No load speed	4500r/min
Motor	Brush 550 motor
Power	150-200w
Guide length	4inch

**YT-CS04**



No load speed	4500r/min
Motor	Brush 550 motor
Power	150-200w
Guide length	6inch

**YT-CS05**



No load speed	20000r/min
Motor	Brush 3820 motor
Power	150-200w
Guide length	4inch

**YT-GT01**



Accessories	10 pieces
Unit weight	1.35KG
Produce size	38*27*7cm

**YT-GT04**




Accessories	13 pieces
Unit weight	2.7KG
Produce size	39.5*8.5*30cm

**YT-GT05**



Accessories	5 pieces
Unit weight	620g
Produce size	32*10*4.8cm

**YT-CS06**



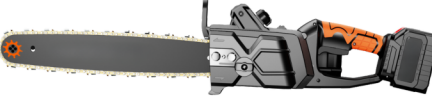
No load speed	20000r/min
Motor	Brush 3820 motor
Power	150-200w
Guide length	6inch

**YT-CS07**



No load speed	19000r/min
Motor	Brushless 5025
Power	200-300w
Guide length	12inch

**YT-CS08**



No load speed	17500r/min
Motor	6450 integrated
Power	500-600w
Guide length	16inch

**YT-GT08**



Accessories	9 pieces
Unit weight	1.2KG
Produce size	30*12*26cm

**YT-GT09**



Accessories	9 pieces
Unit weight	1.8KG
Produce size	3.5*20*10.9cm

**YT-GT10**



Accessories	7 pieces
Unit weight	1.45KG
Produce size	36*16*9cm

# BATTERY FOR BRAND POWER TOOL

For **Makita**



For **HITACHI**



For **DEWALT**



For **BOSCH**



For **dyson**



For other brand



For **Milwaukee**

